

#### Multi-tine holder

Solid tines 5 x 65, 5 x 135, 8 x 65 or 8 x 150 mm are mounted in the multi-tine holder "nail board". 24, 16 or 8 tines can be mounted, depending on the task and the required hole pattern. The "sandwich construction" of the nail board allows quick and easy tine replacement.

#### Tools

Every time you pass over the grass, it causes compaction and has a negative impact on the growth. Reduce the number of passes by combining the TERRA SPIKE® XF / XD with trailers that can be purchased as an option. Use the optional "nail board" to increase the number of holes per square metre and to intensify the degree of maintenance. TERRA SPIKE® XF / XD there isn't any more productive way to care for your turf.

#### Swathboard

When using hollow tines the cores can be deposited in rows by means of the optional swathboard. This makes the subsequent collection of the cores much easier.



TECHNICAL DATA	TERRA SPIKE® XF		TERRA SPIKE® XD	
<b>Model:</b>	XF 6	XF 8	XD 6	XD 8
<b>Working width in cm:</b>	160	210	160	210
<b>Weight in kg (approx.):</b>	1070	1275	1125	1345
<b>Maximum working depth in mm:</b>	220	220	275	275
<b>Dimensions L / W / H in cm (approx.):</b>	135 / 215 / 120	135 / 264 / 120	139 / 215 / 120	139 / 264 / 120
<b>Mounting:</b>	rear three point cat. I and II		rear three point cat. I and II	
<b>QuickSet / QuickFit / PowerPack / VibraStop:</b>	standard / standard / standard / standard		standard / standard / standard / standard	
<b>Minimum required tractor power (recommended):</b>	24 kW/32 HP	32 kW/42 HP	24 kW/32 HP	32 kW/42 HP
<b>Crankshaft speed:</b>	345 U/min. 45 kW/60 PS	410 U/min. 52 kW/70 PS	485 U/min. 60 kW/80 PS	345 U/min. 45 kW/60 PS
<b>Minimum tractor lifting capacity with standard attachment in N:</b>	13900	16900	13900	16900
<b>Tractor PTO speed:</b>	540 RPM		540 RPM	
<b>Solid tines Ø in mm:</b>	5, 8, 12, 20		5, 8, 12, 20	
<b>Hollow tines Ø in mm:</b>	12, 16, 20, 25		12, 16, 20, 25	
<b>Rear roller:</b>	standard		standard	
<b>Turf retainer:</b>	optional		optional	
<b>Hydraulic depth adjustment:</b>	optional		optional	
<b>Swathboard:</b>	optional		optional	
<b>Hydraulic rotary brush:</b>	optional		optional	
<b>Nail board for 5 mm und 8 mm solid tines:</b>	optional		optional	
<b>Débit de chantier en service continu en m²/h et pour un régime de :</b>				
<b>345 RPM;</b> at 1.3 km/h; square hole spacing 65 mm; (approx.):	2100 m²/h	2800 m²/h	2100 m²/h	2800 m²/h
<b>345 RPM;</b> at 2.7 km/h; square hole spacing 130 mm; (approx.):	4200 m²/h	5600 m²/h	4200 m²/h	5600 m²/h
<b>410 RPM;</b> at 1.6 km/h; square hole spacing 65 mm; (approx.):	2500 m²/h	3400 m²/h	2500 m²/h	3400 m²/h
<b>410 RPM;</b> at 3.2 km/h; square hole spacing 130 mm; (approx.):	5000 m²/h	6700 m²/h	5000 m²/h	6700 m²/h
<b>485 RPM;</b> at 1.9 km/h; square hole spacing 65 mm; (approx.):	3000 m²/h	4000 m²/h	-	-
<b>485 RPM;</b> at 3.8 km/h; square hole spacing 130 mm; (approx.):	5900 m²/h	7900 m²/h	-	-

Descriptions and illustrations are non-binding. We reserve the right to modify the construction and design.

## From the inventors of professional turf maintenance.

As a manufacturer of professional specialised machines, our entire passion is applied to turf. No matter whether on the golf course, in large sport stadiums around the world, or in the municipalities – the care of professionally employed lawns and turf are especially close to our heart. We have made this passion our profession, and thanks to our experience and know-how, we have also expanded to artificial turf maintenance and dirt and snow removal.

Our high-quality accessory equipment for compact tractors and municipal equipment carriers deliver complete solutions for turf regeneration as well as the collection or removal of grass and leaves. Highly-specific mowing machines, turf sweepers, sweepers for snow and dirt, snow raker blades and winter service spreading machines round off the product range and convince our customers by their efficiency and practicability. No matter what the season, no matter what the purpose – as professionals, we know what professionals need.



## TERRA SPIKE® XF/XD

Deep aeration and removal of compaction up to a depth of 27 cm

- Central tine and depth adjustment
- Integrated damping-, tine fitting and removal system
- Wide range of tines and accessories

Further information:

Wiedemann GmbH  
Am Bahnhof | 89192 Rammingen | GERMANY  
Phone +49 7345 953-0 | Fax +49 7345 953-233  
info@wiedemann.com

[www.wiedemann.com](http://www.wiedemann.com)



18-214.03/18 www.wmk-ufm.de

We love turf. [www.wiedemann.com](http://www.wiedemann.com)

## For deep aeration and removal of compactions up to 27 cm depth

Time is money. This principle applies today more than ever when it comes to professional turf care. It doesn't matter whether you are maintaining sports grounds or golf courses, the time available to you is becoming increasingly limited while the players place ever more exacting demands on the quality of the turf. Regular deep loosening and aeration is one of the most important prerequisites for a healthy root growth. Breaking up the compacting of the ground allows the roots to penetrate deeper into the ground and take better advantage of the water and nutrients. The ow of water and the air balance are improved, turf thatch is removed and the shear strength is increased. In the past, this maintenance work used to be – in spite of all the technical innovations – time consuming work. Used to be – because the new generation of TERRA SPIKE® XF and TERRA SPIKE® XD deep aerators by Wiedenmann has revolutionised turf care and set new standards for speed, productivity and work quality. Aerate and loosen your turf up to 27 cm deep at a speed of up to 5.7 km/h. Save up to 60 % of the time it used to take you to perform this maintenance job. TERRA SPIKE® XF and TERRA SPIKE® XD – the revolution in deep loosening. This brochure will give you all the technical details of this new generation of deep aerators.

### The revolution

The high productivity of the TERRA SPIKE® XF / XD will convince you. Loosen and aerate your turf up to 275 mm deep at a speed of almost 6 km/h and at a distance between holes of 195 mm. Even square hole spacing of 65 or 130 mm is achieved at forward speeds of 1.9 or 3.8 km/h. This means more surface area coverage per hour and considerably less interruption of play. Your players will thank you. You'll be surprised how quick and easy both the working depth and the loosening angle can be adjusted by the QuickSet. The wide adjustment range of the loosening angle from 90° to 65°, which can be regulated centrally by the crank, allows you to ideally adapt the loosening intensity to the prevailing ground conditions and degree of compaction. The exclusive TwinDrive is available equipped with different gear ratios. This allows the crankshaft speed to be adjusted ideally to the available tractor power.

## Benefits:



### Simple working depth adjustment

The working depth of the TERRA SPIKE® XF / XD can be adjusted easily and without tools by using a hand crank. As an option, the working depth can be set hydraulically from the seat of the tractor – even while driving.



### Absorption of jolts and vibration

The VibraStop damping system minimises the strain on driver, machine and tools.



### The turf surface is protected

with the optional turf retainer that prevents damage to poorly rooted turf.



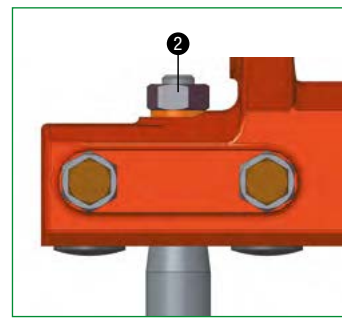
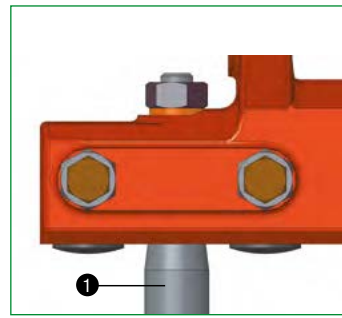
### Crankshaft

The extremely sturdy, computer optimised crankshaft runs on large sized ball bearings. Precisely calculated counterweights allow for the TERRA SPIKE® XF / XD unrivalled smooth running.



### TwinDrive

TwinDrive symmetrically introduces force from both sides to the robust, continuous crankshaft. If harmful load peaks occur during work, e.g. if the tines strike a stone, the forces are absorbed by the special two-sided V-ribbed belt.



### QuickFit

The integrated system for fitting and removing tines allows quick and trouble-free fitting of the conical 20 and 25 mm hollow tines.

### Tine fitting

- 1 Screw tine 1 into the tine holder from below by hand.
- 2 Tighten the lock nut 2 from above. The tine will now fit securely in the conical tine holder.

### QuickSet

Central, quick adjustment of the tine entry angle (90° to 65°) and working depth without the need for tools. With only one central crank, you can easily and quickly make these settings which are so important for the quality of the work – regardless of the length of tine you have fitted or whether the tine is new or used.

### 1 Central depth adjustment

You'll be surprised how quick and easily the working depth of the TERRA SPIKE® XF / XD can be adjusted. First transfer the length of the fitted tine to the moveable pointer. Then set the desired working depth using the central depth adjusting crank. Ready. It can't get any quicker or easier.

### 2 Central angle adjustment

Crank with integrated PowerPack for the central, quick and tool-free adjustment of the tine entry angle.



### Tine holders

The robust tine holders with large sized ball bearings are capable of withstanding extreme conditions, such as jolts, dirt and sand.

### Tine removal

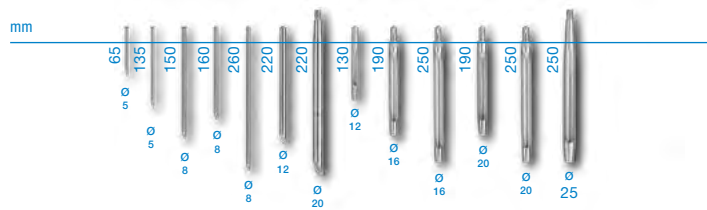
- 2 Turn the lock nut in the opposite direction to press the tine out of the cone.
- 1 Next, unscrew the tine by hand.



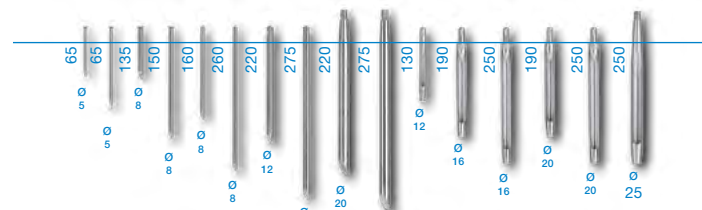
### Range of tines

TERRA SPIKE® XF and TERRA SPIKE® XD can manage any task thanks to a complete range of solid tines with diameters of 5, 8, 12 and 20 mm, as well as hollow tines with diameters of 12, 16, 20 and 25 mm.

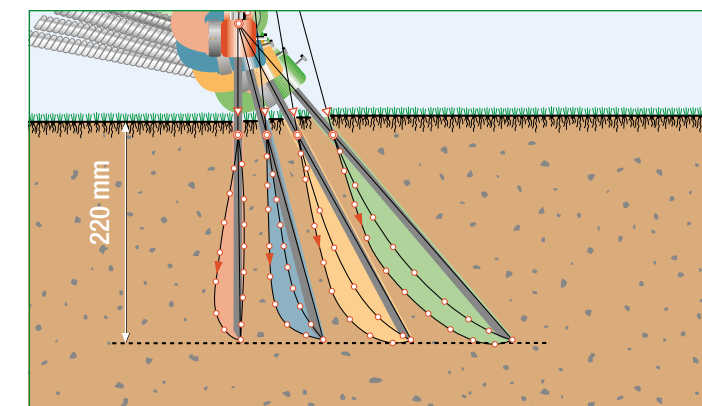
### TERRA SPIKE® XF



### TERRA SPIKE® XD



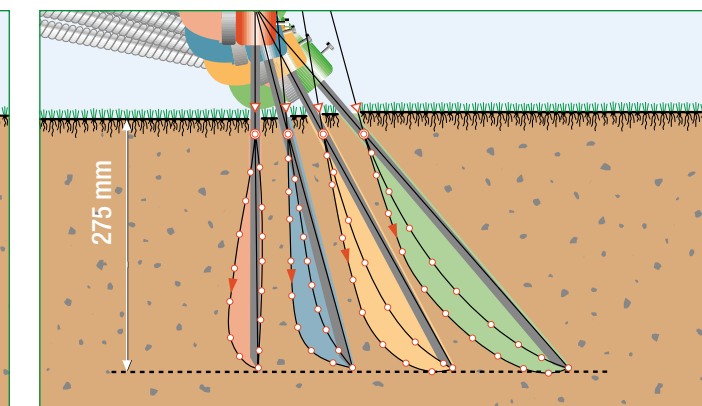
### TERRA SPIKE® XF



Entry angle	Pivot angle	Stroke (mm)	Depth (mm)
90°	3°	12	220
85°	15°	18	190
80°	30°	22	160
75°	40°	25	125

Le réglage de l'angle de pénétration des outils permet d'obtenir divers degrés d'ameublissement.

### TERRA SPIKE® XD



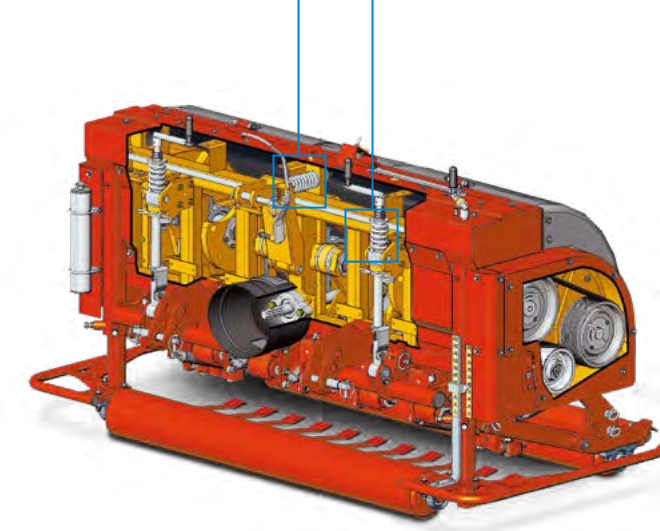
Entry angle	Pivot angle	Stroke (mm)	Depth (mm)
90°	14°	36	264
85°	22°	46	228
80°	28°	46	196
75°	31°	43	160

### VibraStop / PowerPack

Deep aeration and loosening is tough work, both for man and machine. If, for example, a tine strikes a stone during operation, the tine must lift the entire machine within a fraction of a second in order to overcome this obstacle. The jolts and vibrations that inevitably occur when this happens adversely affect not only the deep aerifier, but also the tractor and the tractor driver in the form of damaging jolts and vibrations. Consequently the quality of work suffers.

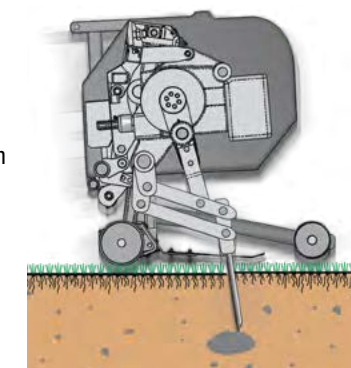
To eliminate this fundamental drawback, Wiedenmann has developed two independently operating, exclusive damping systems – VibraStop and PowerPack. Together, they absorb perfectly jolts and vibrations caused by extreme compaction or stones. The result is unrivalled smoothness of running with a minimum of strain on the driver, tractor, deep aerifier and tools.

### VibraStop PowerPack



### Other machines on the market

The tine strikes an obstacle in the soil. The resulting jolt is transmitted undampened to the deep aerator, the tractor and the tractor driver with all the negative consequences.



### TERRA SPIKE® XF / XD

The tine strikes the same obstacle in the soil. The VibraStop and PowerPack damping systems are activated instantly, and the resulting jolt is absorbed. This way, the stress on the deep aerator and tractor is reduced almost entirely.

